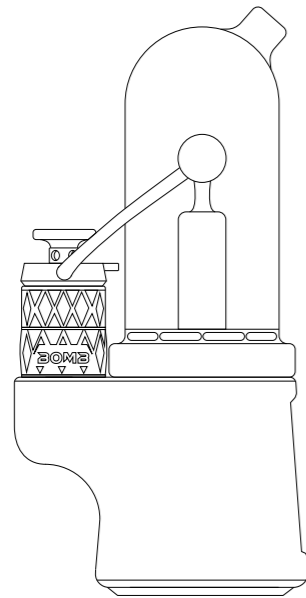
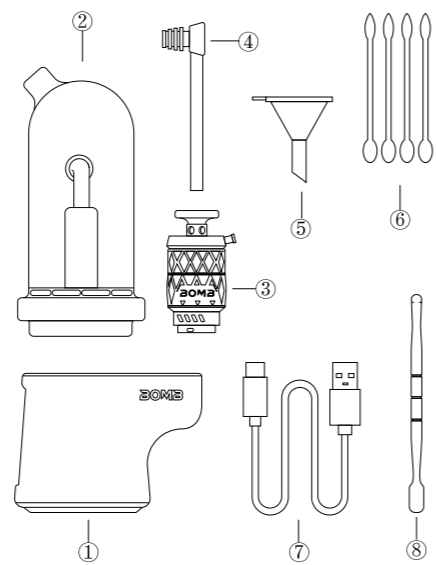


Aerix BOMB ERIG



www.bombofficial.com

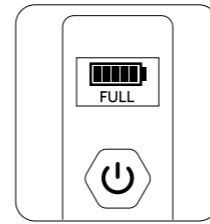
WHAT'S INCLUDED



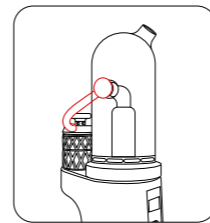
- ① Aerix Base
- ② Glass Chamber
- ③ Aerix Atomizer
- ④ Airflow Tube
- ⑤ Filling Tool
- ⑥ Cotton Swabs
- ⑦ USB-C Cable
- ⑧ Loading Tool

QUICK START

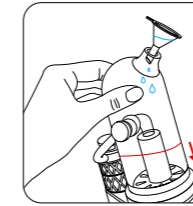
- Charging** - Ensure your BOMB is fully charged for optimal performance before first use. Normally takes 2.5 - 3 hours to be full till the battery grid indicator does not flash.



- Please connect the Airflow Tube between the atomizer and glass chamber, ensuring both ends are properly sealed.



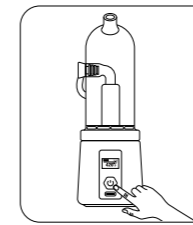
- Adding Water** - For optimal performance and to prevent spills, it is recommended to use the included filling funnel when adding water to the glass chamber. Please ensure the water level does not exceed one-third of the total height of the chamber.



4. Starting up

Quickly click the button 5 times to turn on/off the device. (NOTE: The device will enter preheat mode automatically and warm up to 200 °F after each turn on).

Load the wax into the atomizer.



5. Temperature Settings

The preset temperature range is 200-700°F.

3 times quick click to enter precise temperature setting mode.

Long-Press: Press and hold to persistent increasing the temperature.

Single-Click: Single-click the button to adjust your temperature in 1-degree increments.

Wait for 3 seconds, temperature setting is done, exit setting mode.



4 times quick click to change the temperature °F to C

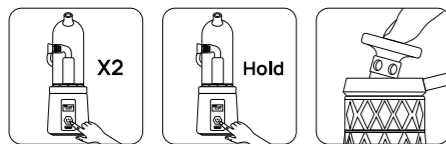
6. Heating Mode Activation

Manual Heat: Press and hold on to initiate heat-up.

Automatic Heat: Double-click to begin the automatic heating process.

The light will turn solid green once it reaches the preset temperature, and ready to inhale.

360° Rotating Cap featuring precision-cut intakes for smooth, controlled airflow.



One click to stop the heat at any time.

LIGHT SETTINGS

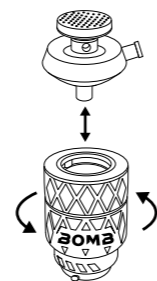
- The device light is enabled by default.
- 7 times quick click to turn off the light.
- When the light is turned off, the green light will still appear and stay on for 45 seconds once the device reaches the set temperature in Auto Mode (indicating the heat retention period).
- The device will remember your last light setting, and the light will remain off the next time it powers on.

WARNING

- The device will flash red light if...
 - The device is overheating
 - Short circuit
 - Low battery
 - The atomizer is not properly connected or atomized not attached
- If you experience a bug, turn the device on and off. Should the issue persist, contact support
- Do not overfill glass chamber
- Do not let water seep into the device and the atomizer
- Keep away from extreme hot and cold temperature
- Keep away from moisture and high humidity

CLEANING : ATOMIZER

- Unscrew the atomizer from the base.

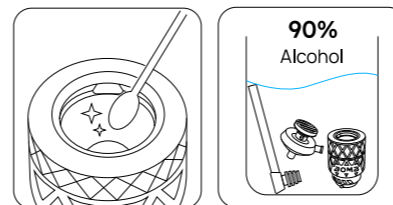


2. Light Cleaning:

Use a cotton swab to gently remove any residue with 90%+ isopropyl alcohol.

3. Deep Cleaning:

Clean the chamber, carb cap, and airflow tube by submerging fully in isopropyl alcohol (90% concentration or higher) for 20 minutes. Do not use water for this initial cleaning. Then rinse thoroughly with clean water and allow to air dry completely before use.

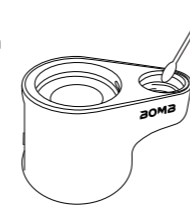


CLEANING : BASE

Preparation: Remove glass and atomizer. Gently clean the gold contact points using cotton swabs soaked in iso.

Do not allow water into the base at any time.

Do not attach if the base or atomizer are still wet or hot. Iso is flammable. Let it dry!



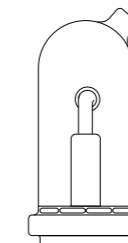
CLEANING : GLASS

Preparation: Carefully remove glass from base

- Once removed, submerge in iso.

- After soaking, remove from iso alcohol and rinse clean with water.

(Iso tastes bad, make sure it's completely removed) Allow glass to thoroughly dry before re-attaching to base. **Do not let water seep into bottom chamber of glass.**



WARRANTY

1 year Limited Warranty Program includes the BOMB ERIG device.

30-day Limited Warranty Program includes the BOMB ERIG atomizer.

PRODUCT SUPPORT

For customer support or product-related inquiries, please contact us.

- www.bombofficial.com
- service@bombofficial.com
- +1 (626) 295-7415
- @bombofficialstore



Share Your Experience!

Tag us with #bomberig #Aerix

